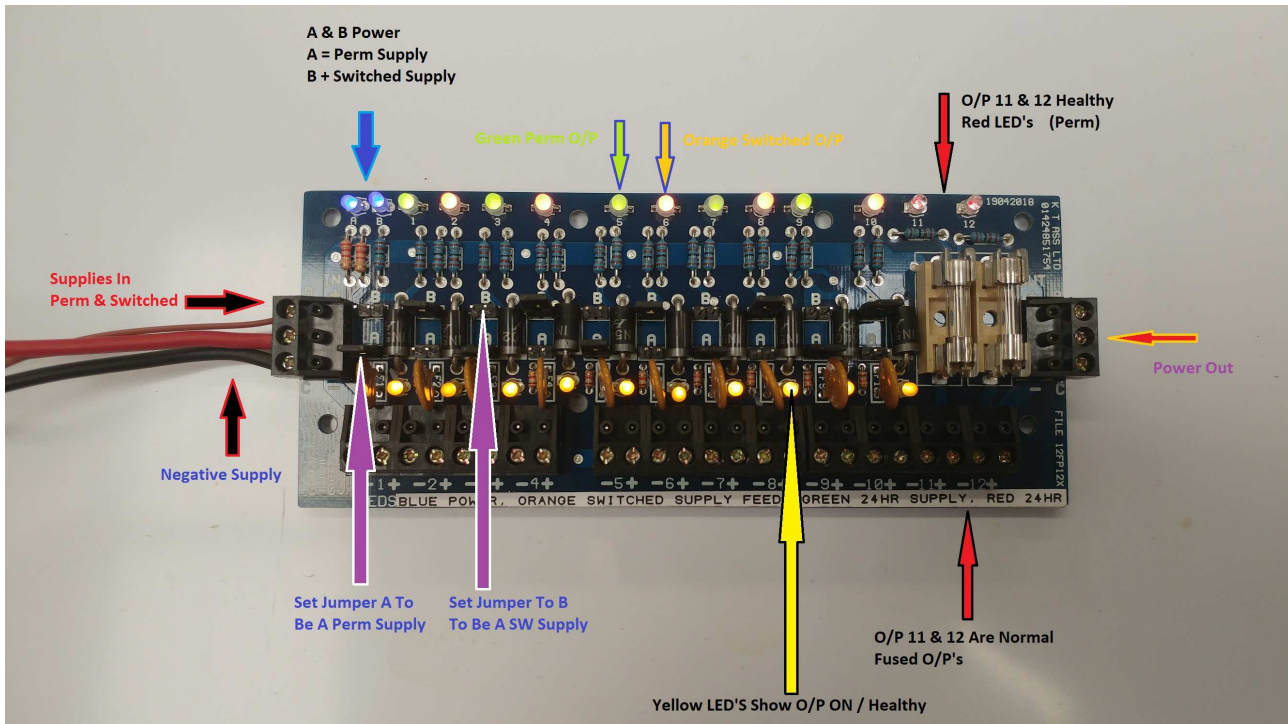




K T Assemblies Ltd

3 Maunsell Road, Castleham Ind Est, St Leonards On Sea East Sussex. TN38 9NL
Telephone 01424 851754 www.ktassemblies.co.uk

Fuse Card Part No PSU/F12 FLP



The above fuse card is designed to be used with two inputs, a switched I/P and a permanent supply.

The supplies are connected to the three way connector on the ends of the PCB and are marked

- A Permanent + VE**
- B Switched + VE**
- C Negative 0V**

Supplies can be identified as active by the two **BLUE** led's Marked A & B at the top left of the PCB, if these are both illuminated power is available for both O/P's

- A = Permanent Supply**
- B = Switched Supply**

Each O/P can be configured to be either permanent or a switched O/P for say fire door release.

The O/P type is configured using the A or B jumper.

A = Permanent Supply

B = Switched Supply

There are status LED's at the top which will illuminate either

Green **O/P Set for permanent Supply**

Orange **O/P Set for switched Supply**

O/P 11 & 12 Are conventional Fused O/P's and are a permanent supply only.

All the O/P's have a yellow healthy LED which is illuminated if the O/P is ON and will go off if the O/P is tripped / overloaded.

There are in and out power connectors but the user must bear in mind the power supply maximum load must not be exceeded.